



KALİTE KONTROL RAPORU
QUALITY CONTROL REPORT 10204-3.1B



Sayfa No: Sayfa : 1/1
Dök.No: F09.25 rev.03
Tarih: 01.01.2008

Müşteri Customer		Rapor No-Tarih Report No-Date	
Parça Adı Part Name	JACK NUT 38 MM TYPE 2	Sipariş Numarası Order No	
Parça Ağırlığı Unit Weight	0,4	Sevk Miktarı Quantity	
Parça Kodu Part Code	J382	Malzeme Material	GGG40

Kimyasal Analiz Chemical Composition

Şarj No Charge	% C	% Si	% Mn	% S	% P	% Mg	% Al	% Cr	% Mo	% Ni	% V
	3,69	2,61	0,20	0,009	0,038	0,047	-	-	-	-	-
	3,77	2,59	0,21	0,009	0,038	0,047	-	-	-	-	-
	3,72	2,65	0,20	0,009	0,038	0,048	-	-	-	-	-

Mekanik Özellikler Mechanical Properties

Şarj No Charge	Sertlik HB Hardness HB	Çekme Mukavemeti Rm Mpa Tensile Strength Rm Mpa	Akma Mukavemeti Rp MPa Yield Strength Rp MPa	Uzama A _s % Elongation %	Kesit Daralması Z % Reduction of Area Z %
	135-185	400-550	250-350	15-27	15-38
	160	450	300	19	21
	165	450	300	19	21
	160	450	300	19	22

Mikroyapı Microstructure

Şarj No Charge	Grafit Ebadı Graphite Size	Küreselleşme % Nodularite %	%Matris %Matrix		% Zementit %Cementite
			Ferrite	Perrite	
	OA-6	100	85	15	—
	OA-6	100	85	15	—

Not
Notes

Inspector This inspection certificate was provided electronically and is valid without signature
Stamp The Signed Original ia available at Demirsoy.

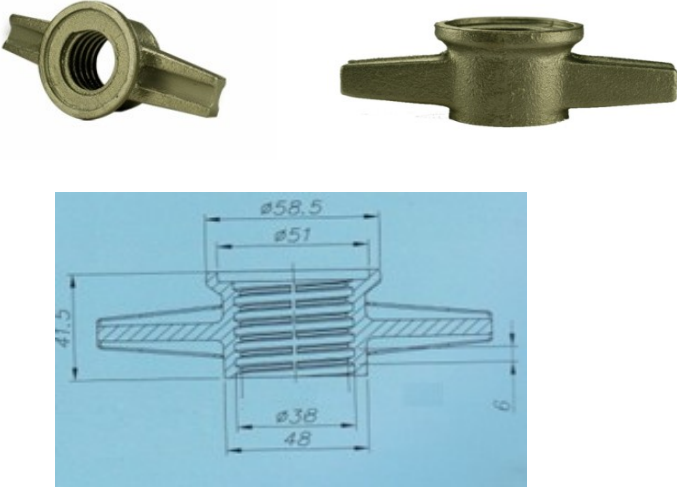
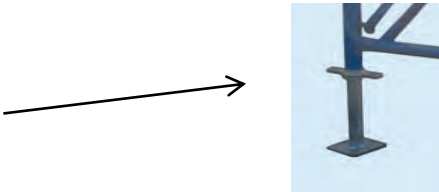


DEMİRSOY Döküm Metal İnş. San. ve Tic. Ltd. Şti.
DEMİRSOY Casting metal Cons.Trade and Industry Ltd. Company
Tel/Fax: 00 90 212 485 40 85
Faks/Fax: 00 90 212 485 49 42

**DEMİRSOY DÖKÜM METAL İNŞAAT
SANAYİ VE TİCARET LTD. ŞTİ.**



PRODUCT TECHNICAL INFORMATION

DISCRIPTION	JACK NUT 38 MM TYPE 2
PART NO	J382
WEIGHT (KG)	0,400
PICTURE/ DIMENSIONS	
MATERIAL	GGG40
USAGE	<p>THIS PART IS USED ON ADJUSTING TUBE FOR ADJUSTING HIGH.</p> 

Inspecteur
Stamp

This inspection certificate was provided electronically and is valid without signature
The Signed Original ia available at Demirsoy.




DEMİRSOY Döküm Metal İnş. San.ve Tic. Ltd. Şti.
DEMİRSOY Casting metal Cons.Trade and Industry Ltd.Company
Tel/Pho: 00 90 212 485 40 85
Faks/Fax: 00 90 212 485 49 42

**DEMİRSOY DÖKÜM METAL İNŞAAT
SANAYİ VE TİCARET LTD. ŞTİ.**



TENSILE TEST RESULT/29.03.2017

DISCRIPTION	JACK NUT 38 MM TYPE 2
PART NO	J382
WEIGHT (KG)	0,400
TEST DEVICE	100 Tons
NAME	Universal Testing Machine
BRAND	Shimadzu
ATRICLE NO	UH-F1000kNI
DEVICE TYPE	Digital
APPLIED METHOD	5mm/min
AMBIENT TEMPERATURE	21 C
MEASURED LOAD(kN)	158,81
REMARKS/RESULTS	After applying bending force on sample till the value of 158,81 kN, it was seen that bending came into occurence on the pipe where the bolt nut pass over. At the end of the experiment, there was no disentanglement on bolt nut. However, it was seen that the bolt nut was nut rotating freely.
SAMPLE PHOTOS	

Inspecteur
Stamp

This inspection certificate was provided electronically and is valid without signature

The Signed Original ia available at Demirsoy.